

Solenoid Valve

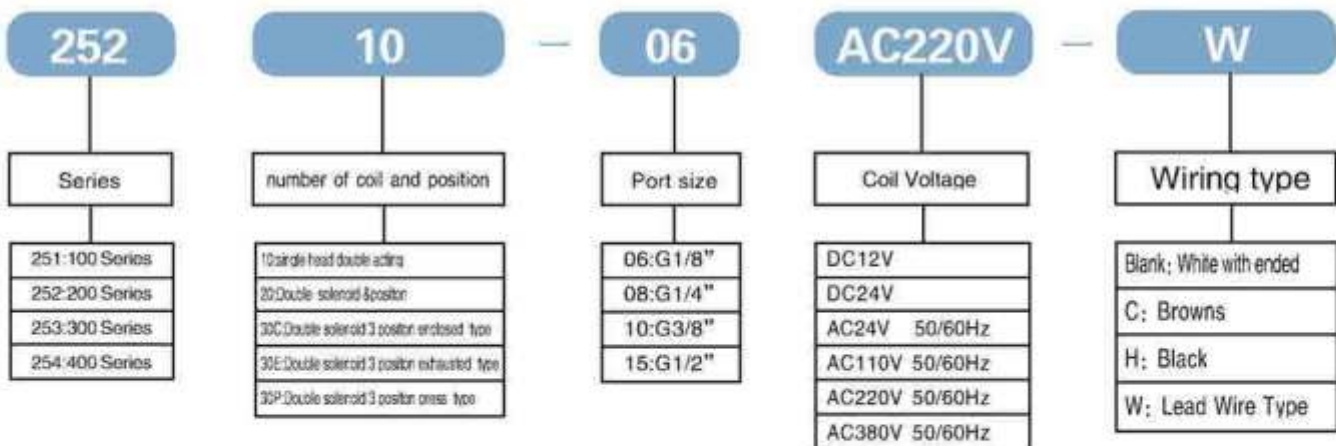
Characteristic:

- Service life: 10 million cycle times.
- The bodies are mirror finished and hardening treated.
- Equipped with imported oil seals with smaller friction and longer service life.
- With imported coils, low power consumption, speedy response.
- Capable of long service time without being damaged.

Specification:

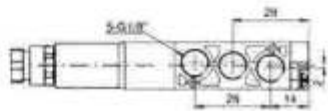
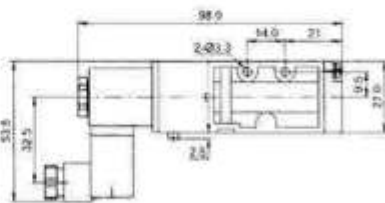
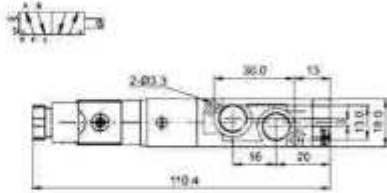
Type	25110-06	25120-06	25130C(EP)-06	25210-08	25220-08	25230C(EP)-08	25310-10	25320-10	25330C(EP)-10	25410-15	25420-15	25430C(EP)-15
Position number	2 Position 5 Way		3 Position 5 Way	2 Position 5 Way		3 Position 5 Way	2 Position 5 Way		3 Position 5 Way	2 Position 5 Way		3 Position 5 Way
Effective sectional area	12mm ² (CV=0.67)		9mm ² (CV=0.5)	14mm ² (CV=0.78)		12mm ² (CV=0.69)	25mm ² (CV=1.40)		18mm ² (CV=1.00)	50mm ² (CV=2.79)		30mm ² (CV=1.68)
Fluid	Air											
Acting type	Internally pilot-actuated											
Working pressure MPa	0.2-0.8											
Ambient temperature °C	-5-50											
Voltage range	± 10%											

How to order:

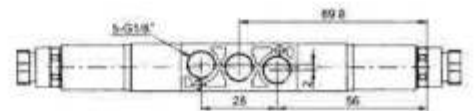
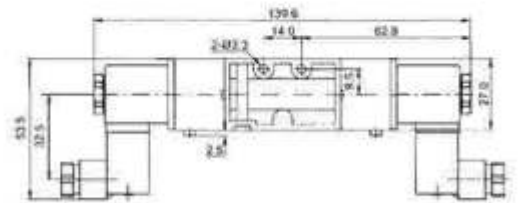
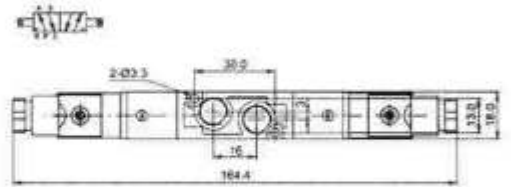


Dimension(mm):

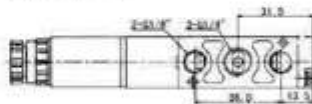
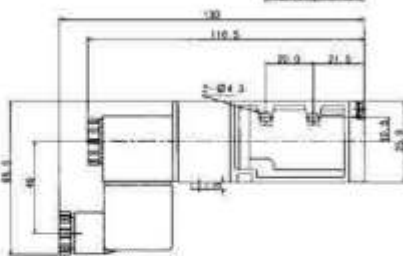
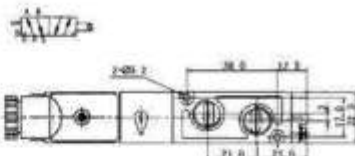
■ 25110-06



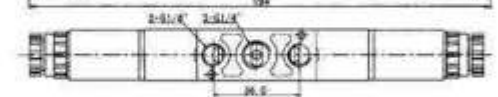
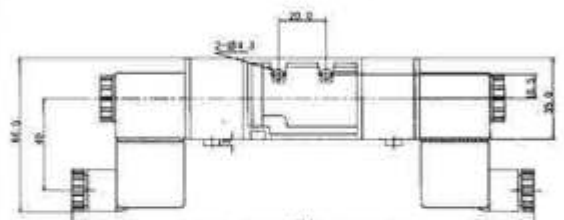
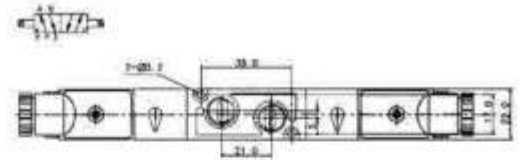
■ 25120-06



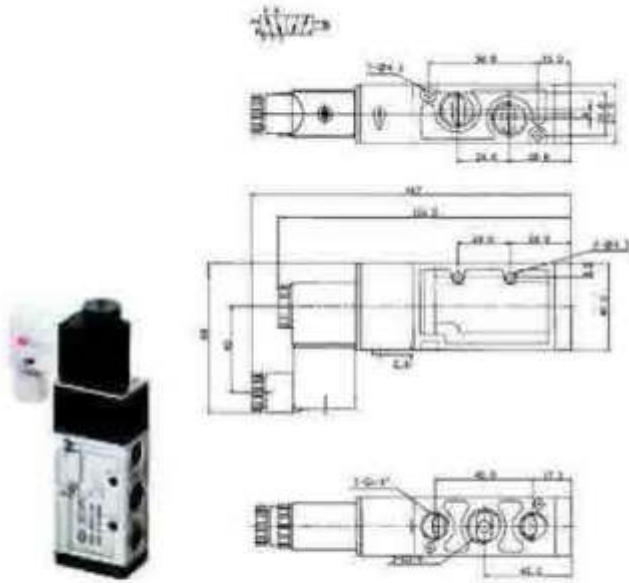
■ 25210-08



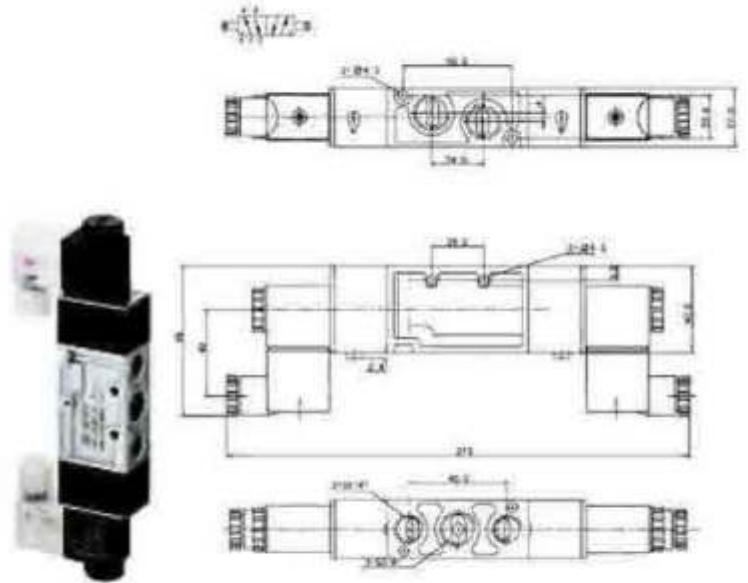
■ 25220-08



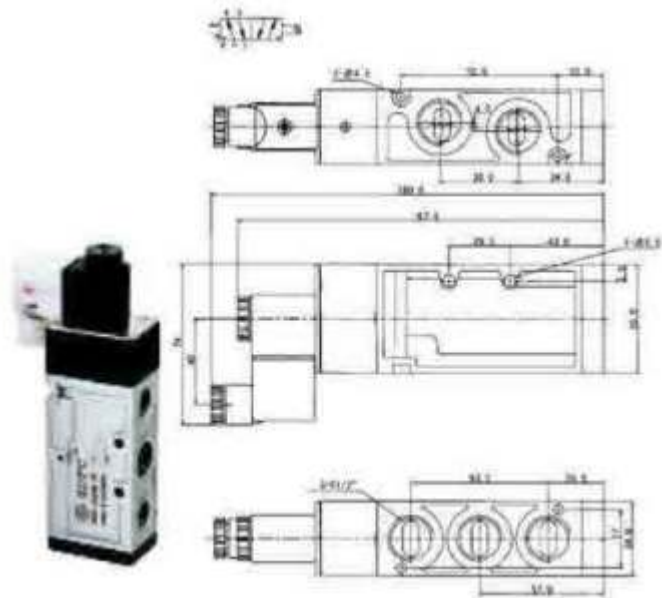
■ 25310-10



■ 25320-10



■ 25410-15



■ 25420-15

